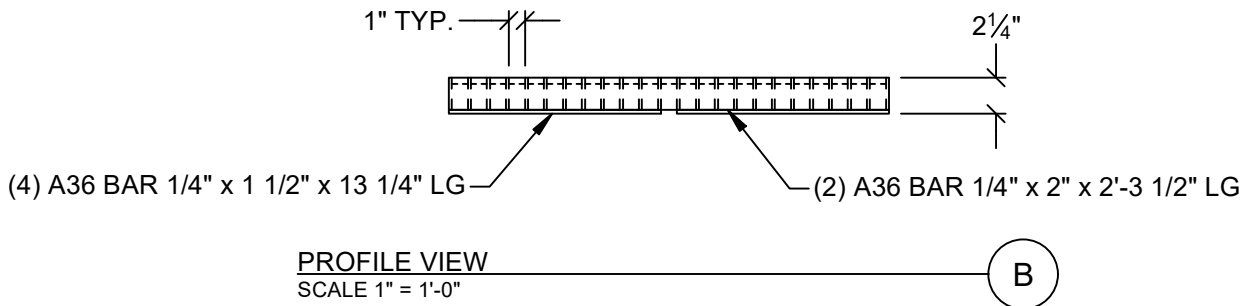
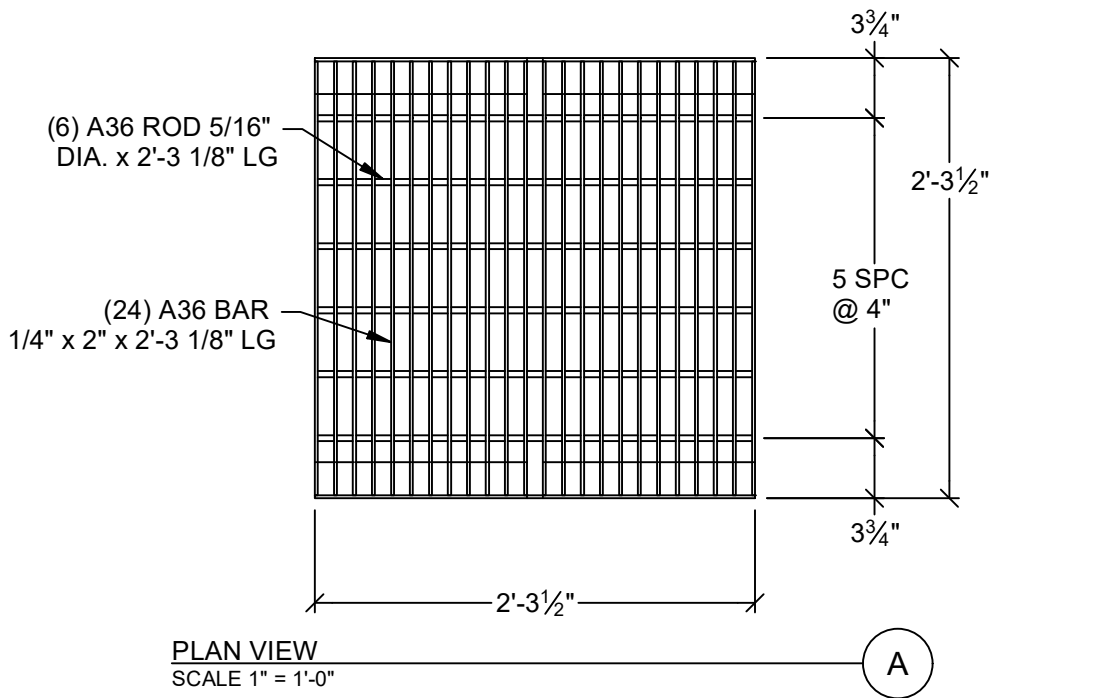


PARTS LIST

ITEM	QTY	PART NUMBER	DESCRIPTION	APPROX. WEIGHT
1	1	24x24 STD Grate	STANDARD TRAFFIC RATED GRATE, 24"x 24"	88 lbmass



- NOTES:
1. MATERIALS AND MANUFACTURING METHODS SHALL CONFORM TO ASTM C-913 AND ASTM A-36.
 2. FRAME SHALL MEET H-20 WHEEL LOADING.
 3. FRAME SHALL BE GALVANIZED AFTER FABRICATION PER ASTM A-123.
 4. FRAME TO BE SUPPLIED BY PRECON AND MANUFACTURED BY NIZHONI METALS.



240 W. LOS ANGELESE AVE. SIMI VALLEY, CA 93065
 P: (805) 527-0841 F: (805) 584-0769,
 WWW.PRE-CONPRODUCTS.COM

THE CONTENTS OF THESE DRAWINGS ARE THE PROPERTY OF PRECON PRODUCTS AND ARE PROPRIETARY AND CONFIDENTIAL. THESE DOCUMENTS SHALL NOT BE DISSEMINATED FOR ANY OTHER USE, WITHOUT THE WRITTEN CONSENT OF PRECON PRODUCTS. IF YOU RECEIVE THESE DRAWINGS IN ERROR, RETURN TO SENDER WITHOUT READING, COPYING OR DISCLOSING THE CONTENTS.

DRAWN BY:

N.Scop

DATE:

10/10/2025

TITLE:

24" x 24"
 STEEL GRATE

SHEETS:

1 OF 1

RELEASED:
 10/16/25KS