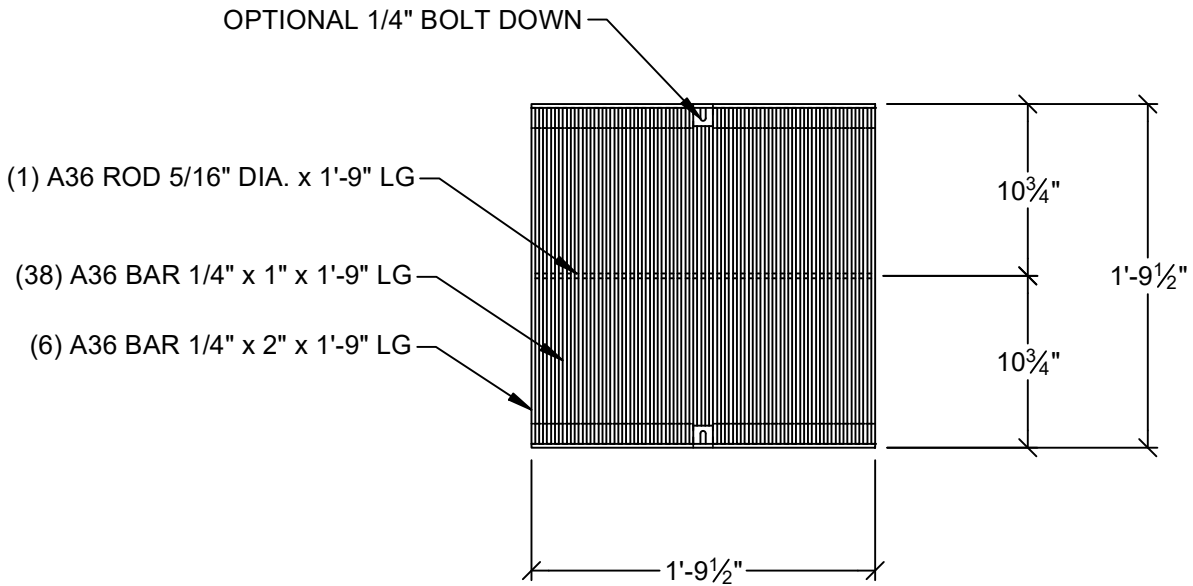


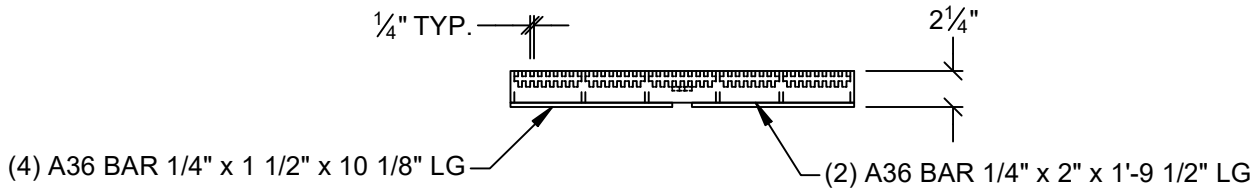
PARTS LIST

ITEM	QTY	PART NUMBER	DESCRIPTION	APPROX. WEIGHT
1	1	18x18 HHP Grate	HHP TRAFFIC RATED GRATE, 18"x 18"	90 lbmass



PLAN VIEW
SCALE 1" = 1'-0"

(A)



PROFILE VIEW
SCALE 1" = 1'-0"

(B)

- NOTES:
1. MATERIALS AND MANUFACTURING METHODS SHALL CONFORM TO ASTM C-913 AND ASTM A-36.
 2. FRAME SHALL MEET H-20 WHEEL LOADING.
 3. FRAME SHALL BE GALVANIZED AFTER FABRICATION PER ASTM A-123.
 4. FRAME TO BE SUPPLIED BY PRECON AND MANUFACTURED BY NIZHONI METALS.



240 W. LOS ANGELES AVE. SIMI VALLEY, CA 93065
P: (805) 527-0841 F: (805) 584-0769,
WWW.PRE-CONPRODUCTS.COM

THE CONTENTS OF THESE DRAWINGS ARE THE PROPERTY OF PRECON PRODUCTS AND ARE PROPRIETARY AND CONFIDENTIAL. THESE DOCUMENTS SHALL NOT BE DISSEMINATED FOR ANY OTHER USE, WITHOUT THE WRITTEN CONSENT OF PRECON PRODUCTS. IF YOU RECEIVE THESE DRAWINGS IN ERROR, RETURN TO SENDER WITHOUT READING, COPYING OR DISCLOSING THE CONTENTS.

DRAWN BY:

N.Scop

DATE:

10/17/2025

TITLE:

18" x 18"

HHP TRAFFIC GRATE

SHEETS:

1 OF 1

RELEASED:
10/17/25KS